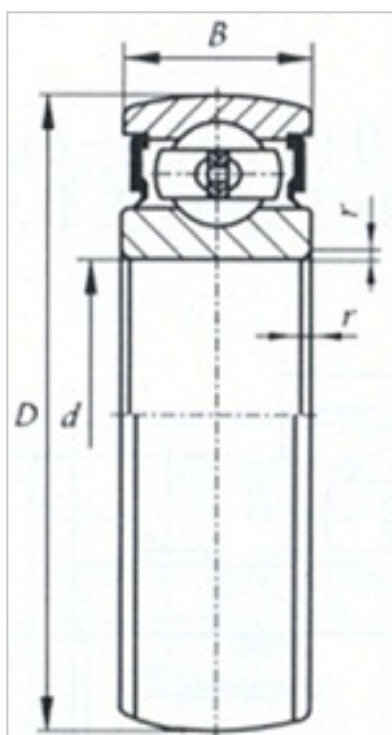


Radial insert ball bearing

CS Series-**CS305**



Bearing Designation	CS305
Dimension [mm]	
d	25
D	62
C	17
B	17
r min	1.1
Basic load ratings (kN)	
Cr	2250
Cor	1150



Luoyang Auto Bearing Co.,Ltd-Tel:0598-3607100-Email:moore@lyautobearing.com-http://www.auto-bearing.com